

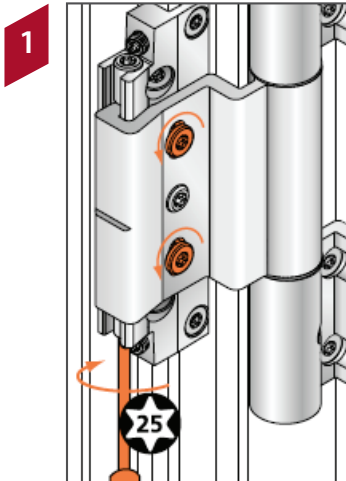


RKDOORSYSTEMS

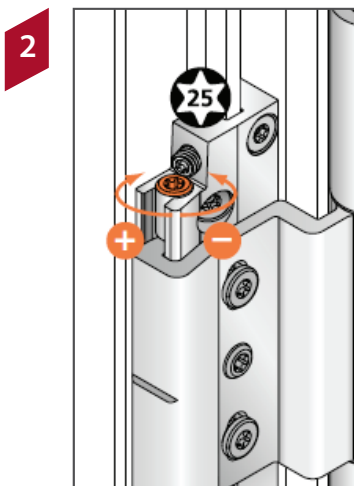
Exclusive Profile Hinge Adjustment Instructions

Adjusting the height

Support the door before making any adjustments

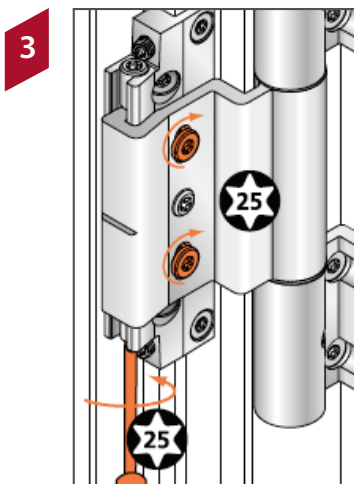


Loosen the clamp screws of the door hinge blades on all hinges, loosen bottom set screws (approx. 3 turns).



Adjust the height ± 3 mm by using the upper set screw.

Important: Lower hinge supports door.



Tighten clamp screws of the door hinge blades and bring the set screw into position.

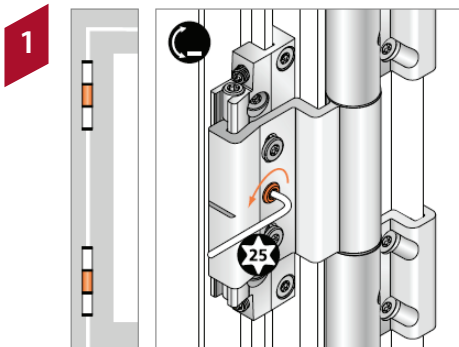
See page 2 for horizontal adjustment



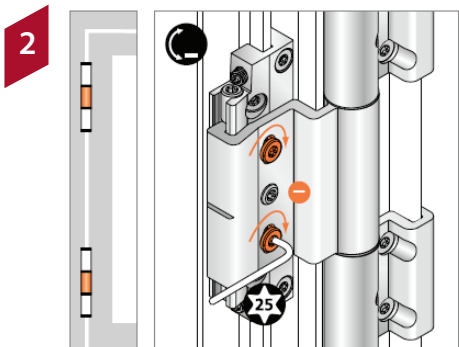
Exclusive Profile Hinge Adjustment Instructions

Horizontal adjustment

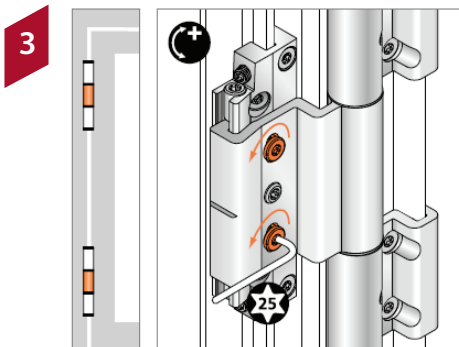
Support the door before making any adjustments



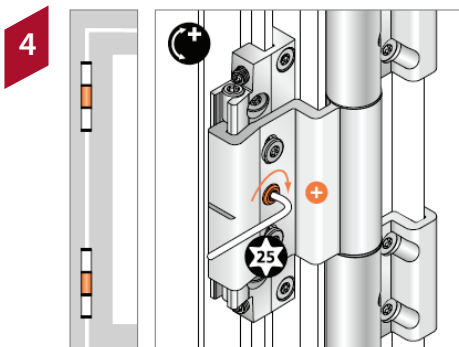
Loosen adjustment screws.



To minimise the shadow groove please tighten the clamp screws.



Loosen clamp screws.



To maximise the shadow groove tighten the adjustment screw.