

RK Exclusive Profile



RKDOORSYSTEMS

Construction

Flush facade outside and inside

75mm thick

Insulation panel

44mm Triple glazed

6.4mm laminated glass / 4mm float
/ 4mm toughened with warm edge
spacer bar Ug 0.7 W/m²k*

U-value

0.72 W/m²K*

Roll hinges

ES2400

2 Part Dr Hann

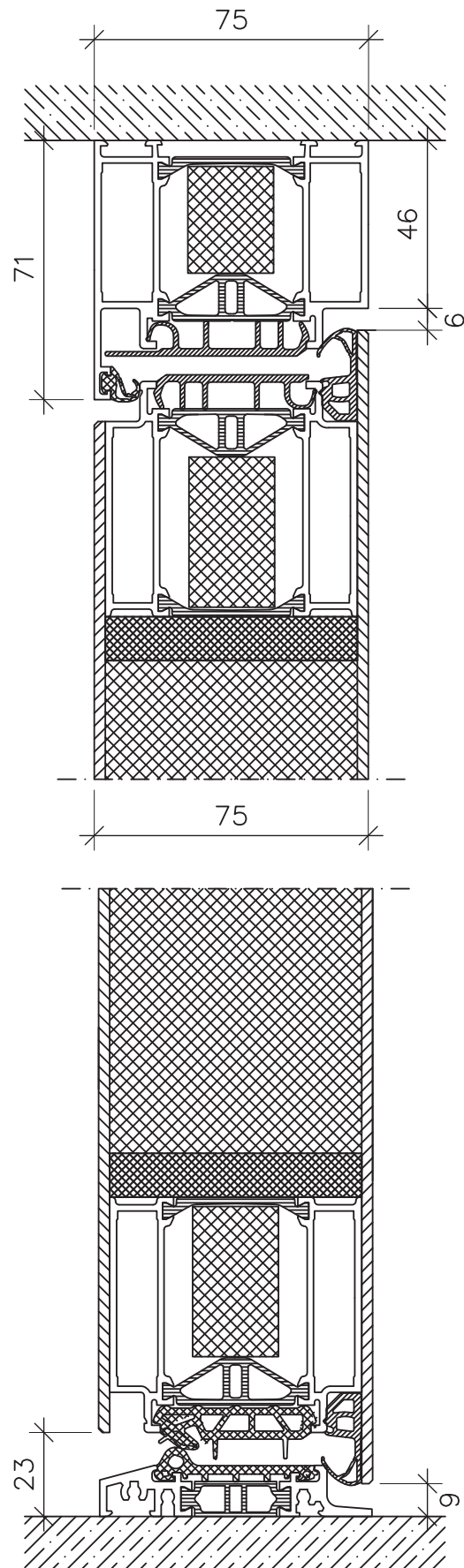


Do you have any questions or
need any further information?

Simply drop us an e-mail or call us now,
we'd be pleased to hear from you!

Call **01872 222300**

Email info@rkdoorsystems.co.uk



*U-values are calculated according to the calculation based on DIN EN ISO 10077-1, this refers to a door in the dimension of 1200 x 2250 mm